



TR-C SERIES™, TR-C+ SERIES™, TR-IC+ SERIES™

CENTRIFUGAL PRODUCT LINE



FEATURES & OPTIONS

- 316L construction and sanitary finish in compliance with 3A standards
- TR-C pumps and parts are 100% physically & hydraulically interchangeable with other "C-Series" style products; no piping changes are required
- Open impeller design
- Connections: Clamp (standard), Flange, NPT, Weldable, Bevel Seat, DIN, SMS
- Motors are available in IEC and NEMA 56C, TC, & TSC
- Low cost

TR-C+

- The TR-C+ delivers improved reliability and cleanability thanks to enhanced shaft and retainer designs
- TR-C+ seal, case, adapter, and backplate are interchangeable with standard "C-Series" models
- TR-C and other "C-Series" pumps can be converted to TR-C+ with a simple kit

TR-IC+

- Same flow and pressure capabilities as TR-C+
- 304 SS as standard material of construction
- Glass beaded finish and NPT connections as standard
- Type 21 mechanical seal with Ceramic / Carbon faces and Nitrile elastomers as standard
- Suited for industrial applications



PERFORMANCE

MODELS

Model	"C-Series" Model	Maximum Capacity		Port Size (Inches)		Maximum Impeller Diameter	Maximum Differential Pressure	
		GPM	LPM	Inlet	Outlet		PSI	BAR
TR-C 100	Not Available	74	280	1.5"	1.0"	3.7"	25	1.7
TR-C / TR-C+ / TR-IC+ 114	C114	152	575	1.5"	1.5"	4"	32	2.2
TR-C / TR-C+ / TR-IC+ 214	C214	185	700	2"	1.5"	4"	30	2
TR-C / TR-C+ / TR-IC+ 216	C216	275	1041	2"	1.5"	6"	73	5
TR-C / TR-C+ / TR-IC+ 316	C316	275	1041	2.5"	1.5"	6"	72	5
TR-C / TR-C+ / TR-IC+ 218	C218	325	1230	2"	1.5"	8"	135	9.3
TR-C / TR-C+ / TR-IC+ 318	C318	510	1931	3"	1.5"	8"	130	9
TR-C / TR-C+ / TR-IC+ 328	C328	740	2801	3"	2"	8"	130	9
TR-C / TR-C+ / TR-IC+ 428	C428	790	2990	4"	2"	8"	137	9.4
TR-C / TR-C+ / TR-IC+ 4410	C4410	1040	3937	4"	4"	10"	120	8.3
TR-C / TR-C+ / TR-IC+ 6410	C6410	930	3520	6"	4"	10"	106	7.3



CAPACITY
to 1,200 GPM
(4,542 LPM)



PRESSURE
to 117 PSI
(8 BAR)



VISCOSITY
to 600 cP



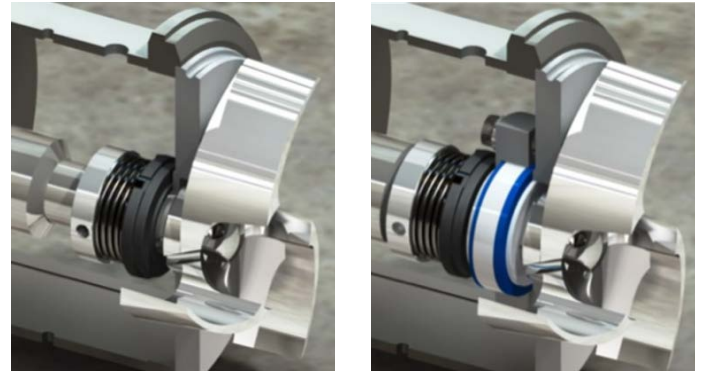
TEMPERATURE
to +248°F
(+120°C)

SEALING

- "D" Type Seal - Balanced External Seal
 - Used for a wide variety of applications including dairy products, corn oils, tomato juice, drinks, water, acidic cleaning solutions, and detergents
 - This seal is not recommended for applications where the product is abrasive, corrosive, or forms layers when drying
 - Optional water jet for extended life becomes the "F" type seal
- "DG" Type Seal - Stationary External Seat
 - This extended-service seal uses the standard rotary components of the D seal with the addition of a stationary element from silicon carbide, ceramic, or tungsten carbide
 - Applications include liquid sugar, acid, caustic soda, and other abrasive and corrosive products
 - Optional water jet for extended service life

TYPICAL APPLICATIONS

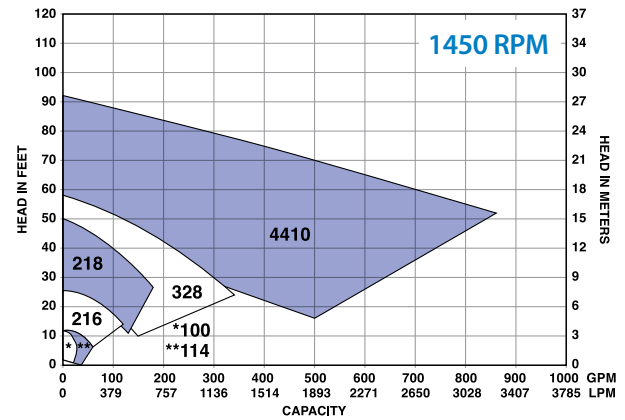
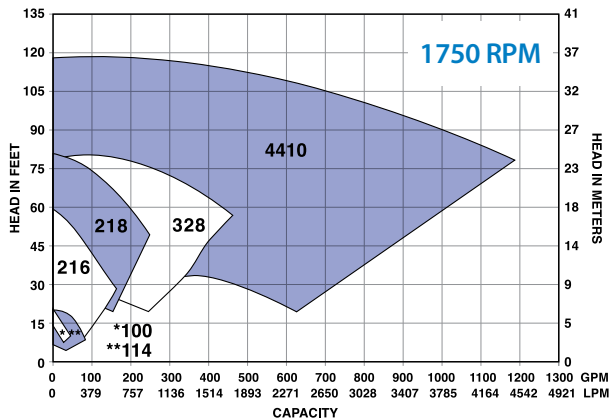
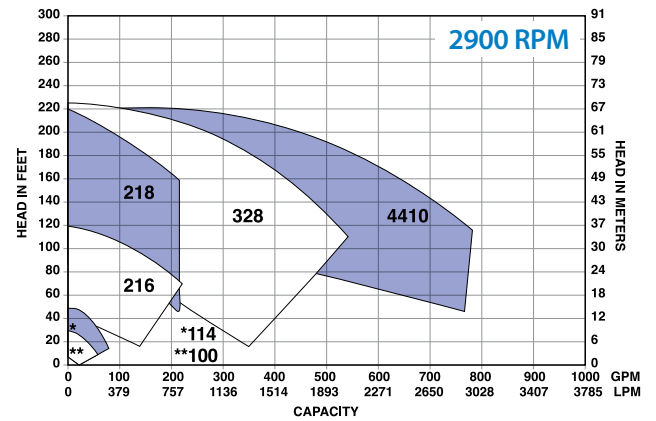
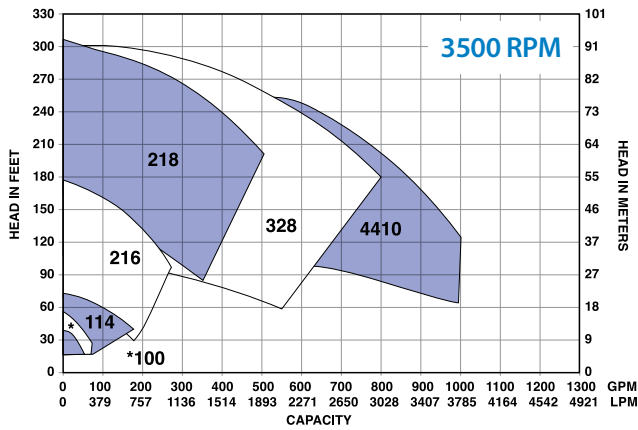
- Soda / Pop
- Juice
- Dairy
- Pharmaceutical
- Brewing & Distilling
- Bottled Water
- Chemicals
- & many others



"D" Type Seal

"DG" Type Seal

PERFORMANCE CURVES



VIKING PUMP®

VIKING PUMP, INC.
A Unit of IDEX Corporation
406 State Street
Cedar Falls, Iowa 50613 U.S.A.
vikingpump.com

CONTACT YOUR STOCKING DISTRIBUTOR TODAY

GLOBAL LEADER IN POSITIVE DISPLACEMENT PUMPING SOLUTIONS: Cedar Falls, Iowa, USA | Windsor, Ontario, Canada | Shannon, Ireland | Eastbourne, United Kingdom

© Copyright 2022 Viking Pump, Inc. All Rights Reserved. Rev0322 | Form No. 1720