



BOREAL



IN-LINE PROBE

- Process unaltered during measurement
- Optics can be removed while probe is connected
- No power at the head required

SET

FORGET

DETECT

BOREAL

In-Line Cell

Fibre Connection



In-Line Cell



Coax Connection



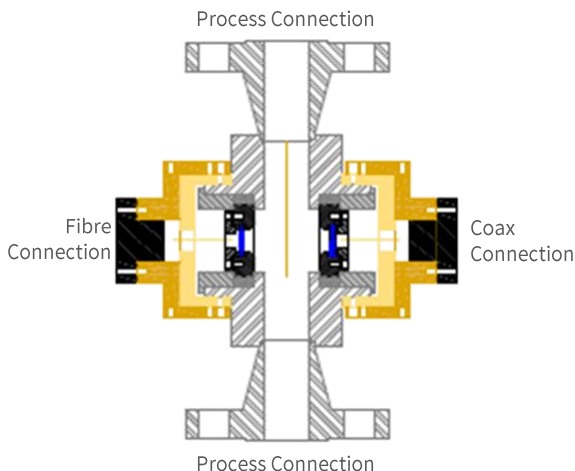
WHAT IT DOES

- The In-Line Probe is a measurement head for our series of GasFinder analyzers that **provides a path average concentration** within the process (active measurement path)
- The In-Line Probe is built as such so the **process does not come into contact with the optical components** of the measurement head.
- The process can follow unobstructed through the probe without significantly altering pressure or flow characteristics

HOW IT WORKS

- The analyzer can be **mounted locally or remotely**
- **Fibre optic cable** carries the laser light from the analyzer to the remotely mounted In-Line Probe
- The **active measurement path** is formed by the laser passing through the windows of the In-Line Probe (and the process)
- The laser light is then collected on the photodiode and the signal is carried back to the analyzer via **coaxial cable**
- The ppm-m concentration is then transferred **from the analyzer to the PLC or DCS**

IN-LINE PROBE SCHEMATIC



SPECIFICATIONS

SIGNAL CONNECTOR SPECIFICATIONS

- **Optical Connector:** FC/APC Female (Signal-In)
- **Coaxial Connector:** BNC Female (Signal-Out)
- **Aiming Laser Connector:** FC/APC Female (Signal-In)
- **Power Supply:** None Needed

PHYSICAL SPECIFICATIONS

- **Process Connection Size:** 1" (25mm) 150# RF Flange
 - **Material:** Hastelloy C
 - **Rated:** 150 PSIG @ 450°F
 - **Lens Material:** Tempered Borosilicate
 - **Seals:** Viton/Teflon O-Ring
 - **Probe Dimensions:** 102x 102 x 179mm (4.0 x 4.0 x 7 in)
 - **Weight:** 9 kg (20.0 lbs)
-
- **Process Connection Size:** 2" (50mm) 150# RF Flange
 - **Material:** Hastelloy C
 - **Rated:** 150 PSIG @ 450°F
 - **Lens Material:** Tempered Borosilicate
 - **Seals:** Viton/Teflon O-Ring
 - **Probe Dimensions:** 153x 153 x 185mm (6.0 x 6.0 x 7.25 in)
 - **Weight:** 11.2 kg (25.5 lbs)

APPLICABLE ANALYZERS



GasFinder3-DC



GasFinder2-FC



GasFinder2-FCr

APPLICABLE ACCESORIES



EDC



DIAGNOSTIC KIT