



STEAM TRAP MONITORING

AIM® & ISA100 WIRELESS™

AIM™

ARMSTRONG INTELLIGENT MONITORING





Why Steam Trap Monitoring?

If the steam trap **fails open** (Leaking or Blow-Thru):

- Increased back pressure.
 - Reduced flow for surrounding steam traps.
- Steam losses (monetary losses).
- Safety issue.
- Environmental issue...

If the steam trap **fails closed** (Cold):

- Wet steam.
 - Water hammering.
 - Damaged turbine LP saturated steam stage.
 - Piping corrosion.
 - Erosion on valves, reducers.
- “Stalling” or flooded heat exchanger.
 - Decrease in production.
 - Reduced heat transfer.
 - Batch process losses.
 - Thermal stress.

Steam Loss Thru an Orifice • Drip & Tracer Application

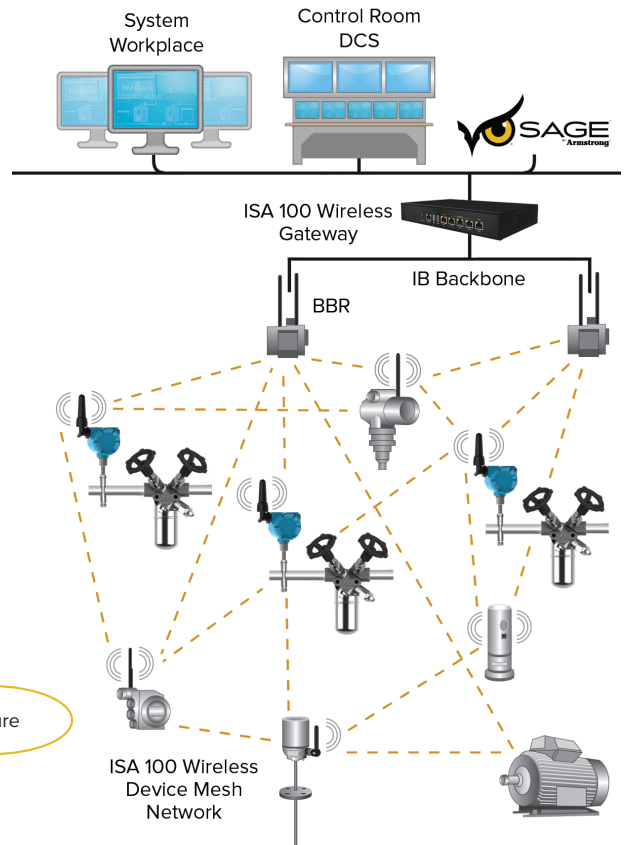
Orifice	10barg	150psig	17barg	250psig	28barg	400psig
	[kg/day]	[lb/day]	[kg/day]	[lb/day]	[kg/day]	[lb/day]
#38	495	1 091	796	1 754	1 246	2 747
7/64"	575	1 267	924	2 036	1 447	3 190
1/8"	751	1 655	1 207	2 660	1 890	4 167
5/32"	1 173	2 586	1 885	4 156	2 953	6 511
11/64"	1 419	3 129	2 281	5 029	3 573	7 878
3/16"	1 689	3 724	2 714	5 984	4 253	9 376
7/32"	2 299	5 068	3 695	8 145	5 788	12 761
1/4"	3 003	6 620	4 826	10 639	7 560	16 668
5/16"	4 692	10 343	7 540	16 623	11 813	26 043
3/8"	6 756	14 894	10 858	23 937	17 011	37 502
1/2"	12 011	26 479	19 303	42 556	30 241	66 671
9/16"	15 201	33 512	24 430	53 859	38 274	84 380
11/16"	22 707	50 061	36 495	80 457	57 175	126 050
3/4"	27 024	59 577	43 432	95 750	68 043	150 009

Blow-Thru steam trap, Outlet Pressure < (Inlet Pressure/2)
Source: AM0017 by UNFCCC

There are **3 challenges** for an effective steam trap monitoring:

- Identifying a failure – What, when, and where?
- Evaluating the scope – How big of an impact?
- Measuring the impact – Value the tangible and intangible losses.

AIM® enables you to tackle all three challenges with one system solution that combines a mix of methods including steam trap specific acoustic and temperature monitoring with integrated smart wireless solutions.



ISA100 Wireless™ Protocol

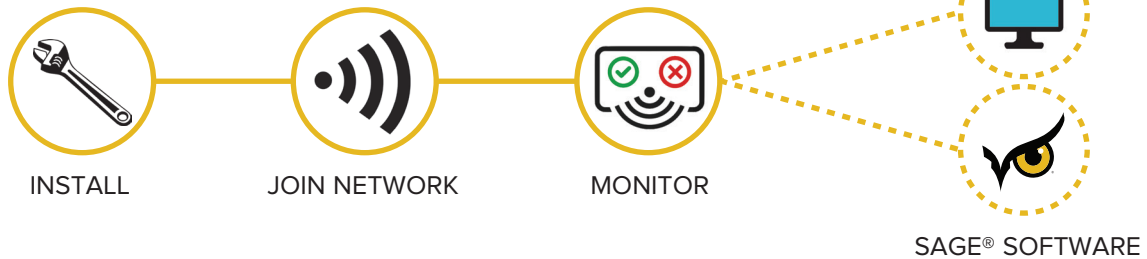
ISA100 Wireless™ is the only industrial wireless protocol standard to incorporate IPv6 directly as part of its network layer and transport layer. ISA100 Wireless™ supports multiple subnets which enables sensors to be grouped for traffic and network management, while breaking the network into zones for security reasons. ISA100 enables backbone-level routing which is also supported in ISA100 Wireless™.

ISA100 Provides:

- Best in class transmitter for application.
- Robust encryption technology.
- Globally accepted standard.
- Downtime free communication.
- Control of latency and low error rates.



Simple • Smart • Sustainable



- No steam trap set-up (operating pressure, trap details, rate...).
- No integration to external software necessary.
- Transmitted Information to gateway:
 - Channel 9 → Steam Trap Condition: 1=OK, 2=COLD, 3=BLOW-THRU
 - Channel 10 → Current Temperature (°C or °F)
 - Channel 11 → Temperature (°C or °F)
 - 100+ NAMUR NE107 diagnostics available.
- Acoustic range specifically calibrated for steam traps.
- Patented waveguide for proper acoustic filtration and vibration resistance.
- Non-intrusive installation, clamped directly on the pipe upfront of the steam trap.
- Waveguide hardware allows multiple transmitter installation orientations.
- 24/7 monitoring of the steam trap population.
- AIM® devices scattered on the steam system will strengthen the wireless network.

SAGE® keeps you fully informed, 24 hours a day by providing regular updates, precise documentation, custom-filtered reports, and real-time alerts to notify you immediately of any problems that arise.

SAGE® calculates steam loss data and reports it using our proprietary steam system efficiency methodology approved by the United Nations Framework Convention on Climate Change (UNFCCC).

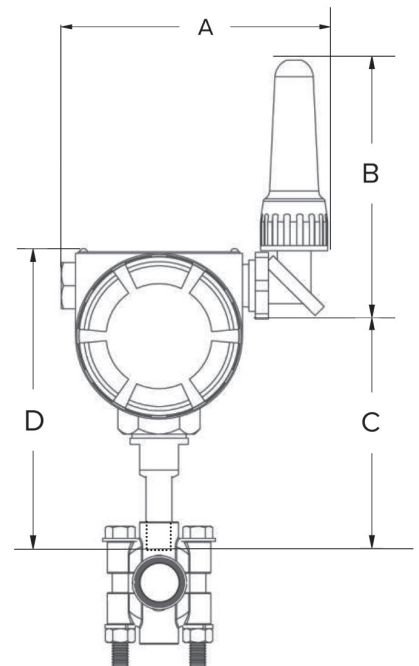
Specifications	
Housing Material	Epoxy coated aluminum
Waveguide Material	CF8M casting with SS316 bolts
Protection Rating	IP66
Ambient Temperature	-40°F to 158°F (-40°C to 70°C)
Min. Operating Pressure	15psig (1barg)
Max. Process Temperature	824°F (440°C) *
Battery Type	Epoxy Lithium-metal Battery Pack
Pipe Diameter	½" to 6" (DN15 to DN150)
Weight (without waveguide)	4.1lbs (1.9kg)

* See IOM, not derated on ambient temperature using specific installation kit.



Scan to learn more about wireless ISA100 steam trap monitoring solution.

Dimensions		
	[in]	[mm]
A	6.3	159
B	5.0	127
C	5.2	132
D	6.5	164



Designs, materials, weights and performance ratings are approximate and subject to change without notice. Visit armstronginternational.com for up-to-date information.



INTELLIGENT SOLUTIONS IN STEAM, AIR AND HOT WATER

Armstrong International

North America • Latin America • India • Europe / Middle East / Africa • China • Pacific Rim

armstronginternational.com